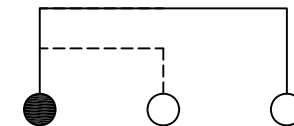
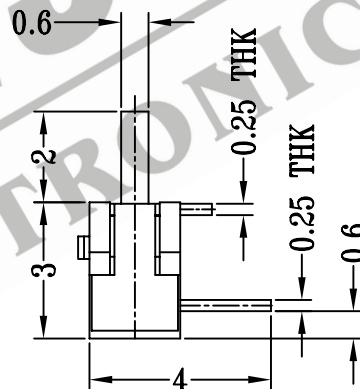
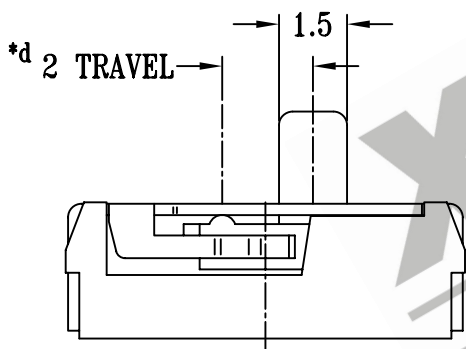
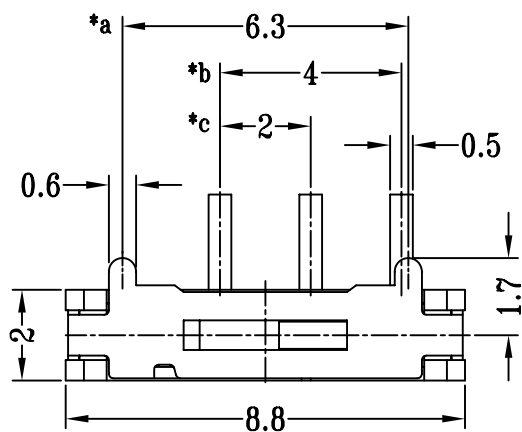
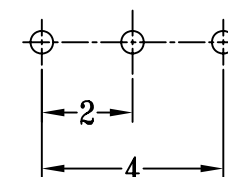


CAD FILE:



**SCHMATIC (NON-SHORTING)**



**P.C.B LAYOUT**

注:带"\*"表示关键尺寸(4个)

8					TOLERANCE	SHENZHEN XIEJIA ELECTRONICS CO.,LTD.			
7					UNLESS SPECIFIED				
6					WITHIN: 1.5±0.1mm	ISSUE	DATE	DESCRIPTIONS	
5	CONTACT	PBS STRIP	1	Ag CLAD	OVER : 1.5±0.2mm			APPD.	
4	TERMINAL	BRASS STRIP	3	Ag PLATED		TITLE : MINI SLIDE SWITCH		UNIT : MM	DRWG NO.: XJ-DR-MK12D70H-00
3	COVER	SUS	1	WASHING		MODEL: MK-12D70H		SCALE: 6 : 1	DWN. ZHOUYU 2006-3-6
2	CASE	NYLON	1	BLACK					CHK'D FANGYING 2006-3-6
1	KNOB	NYLON	1	IVORY		ALL MATERIALS MUST BE COMPLIANT TO ROHS			APPD. KANGXINAN 2006-3-6
NO.	PART NAME	MATERIAL	Q'TY	FINISHING					